



## 32" Multi-Function Self Ordering Kiosk



### Features

- QSR, fast casual restaurant and ticketing market
- Large screen menu for self ordering application
- Wall-mount / dual-side / floor-stand
- Compact design with 32" touchscreen
- Powered by Rockchip RK3399 Dual Core A72 + Quad Core A53
- Available with Android 11
- Easy maintenance via modular design

### Applications

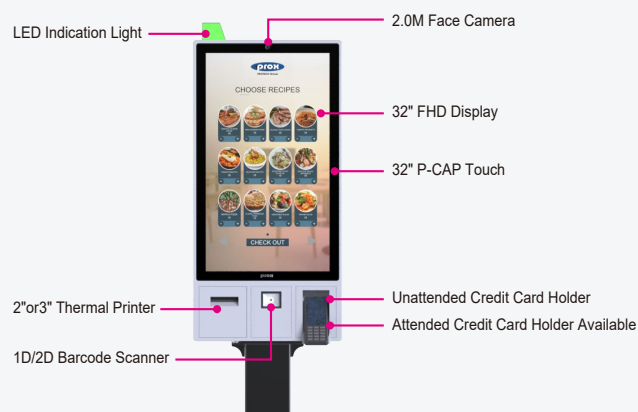
- QSR Self Ordering Kiosk
- Retail and chain store kiosk
- Food ordering and payment kiosk
- Ticket selling service kiosk
- Hospital service kiosk
- Library service kiosk



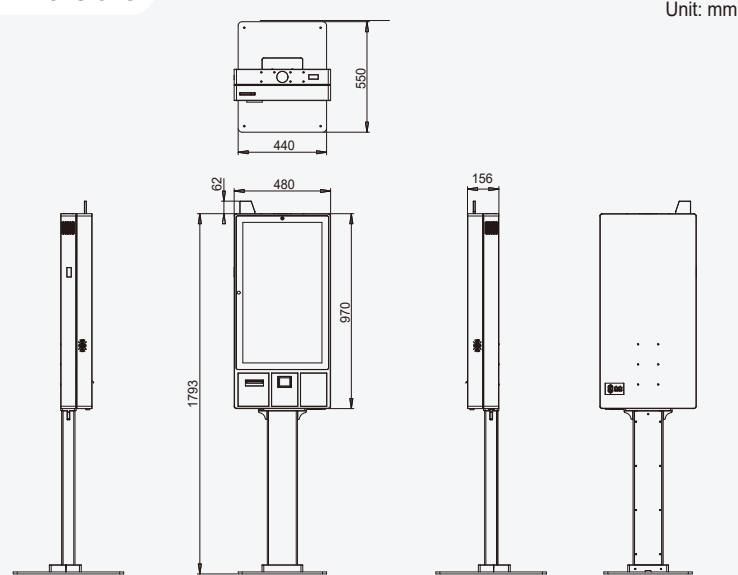
### Specifications

System	
CPU Type	Rockchip RK3399 Dual Core A72 + Quad Core A53
Memory	2 x LPDDR4 (4GB)
HDD	1 x eMMC NAND Flash Memory (32GB)
Network	1 x Gigabit 10/100/1000 Base-T Fast Ethernet (RJ45) 2 x RJ45 reserved connectors
Power Supply	100-240V available
System Weight	34 kg (without floor stand) 63 kg (with floor stand)
Dimensions (W x H x D)	With Stand: 440 x 1780 x 550 mm Without Stand: 480 x 970 x 156 mm
O.S. Support	Android 11
Operating Display	
LCD	32" TFT LCD
Max. Resolution	1920 x 1080
Brightness	400 cd/m <sup>2</sup>
Touchscreen	Projected capacitive touch
Viewing Angle	Horizontal: (R) 89° / (L) 89° Vertical: (U) 89° / (L) 89°
Add-ons	
Barcode Scanner	2D: PDF 417, QR Code, Micro QR, Data Matrix, Aztec, Maxicode, Chinese Sensible Code, GM Code, Micro PDF417 Code, Code One 1D: EAN-8, EAN-13, UPC-E, UPC-A, Code 128, UCC/EAN 128, I2Of5, ITF-14, ITF-6, Matrix 25, CodaBar, Code 39, Code 93, ISSN, ISBN, Industrial 25, Standard 25, Plessey, Code11, MSI-Plessey, UCC/EAN Composite, GS1 Databar, Code 49, Code 16K
Thermal Printer	2" or 3" standalone thermal printer for 80 mm paper roll
Environment	
EMC & Safety	CE / FCC
Operating Temp.	0°C~40°C
Storage Temp.	0°C~60°C
Humidity	20%~85% (no condensation)

### Highlights



### Dimensions



\* All information contained in this document is subject to change without prior notice. Please log on [www.protech.com.tw](http://www.protech.com.tw) to acquire latest information. For detail mechanics drawing, please contact our sales.