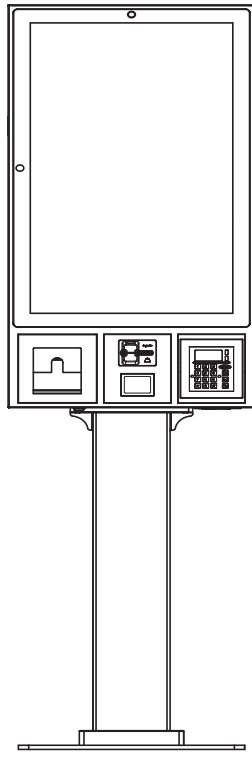


KS-M333

Quick Reference Guide



Ver. Q1

All Rights Reserved. Copyright 2023

Packing Checklist

If you discover any of the items below are damaged or lost, please contact your vendor immediately.

- KS-M333 x 1
- This Quick Reference Guide x 1
- Manual / Driver DVD x 1
- Door Key x 2

KS-M333

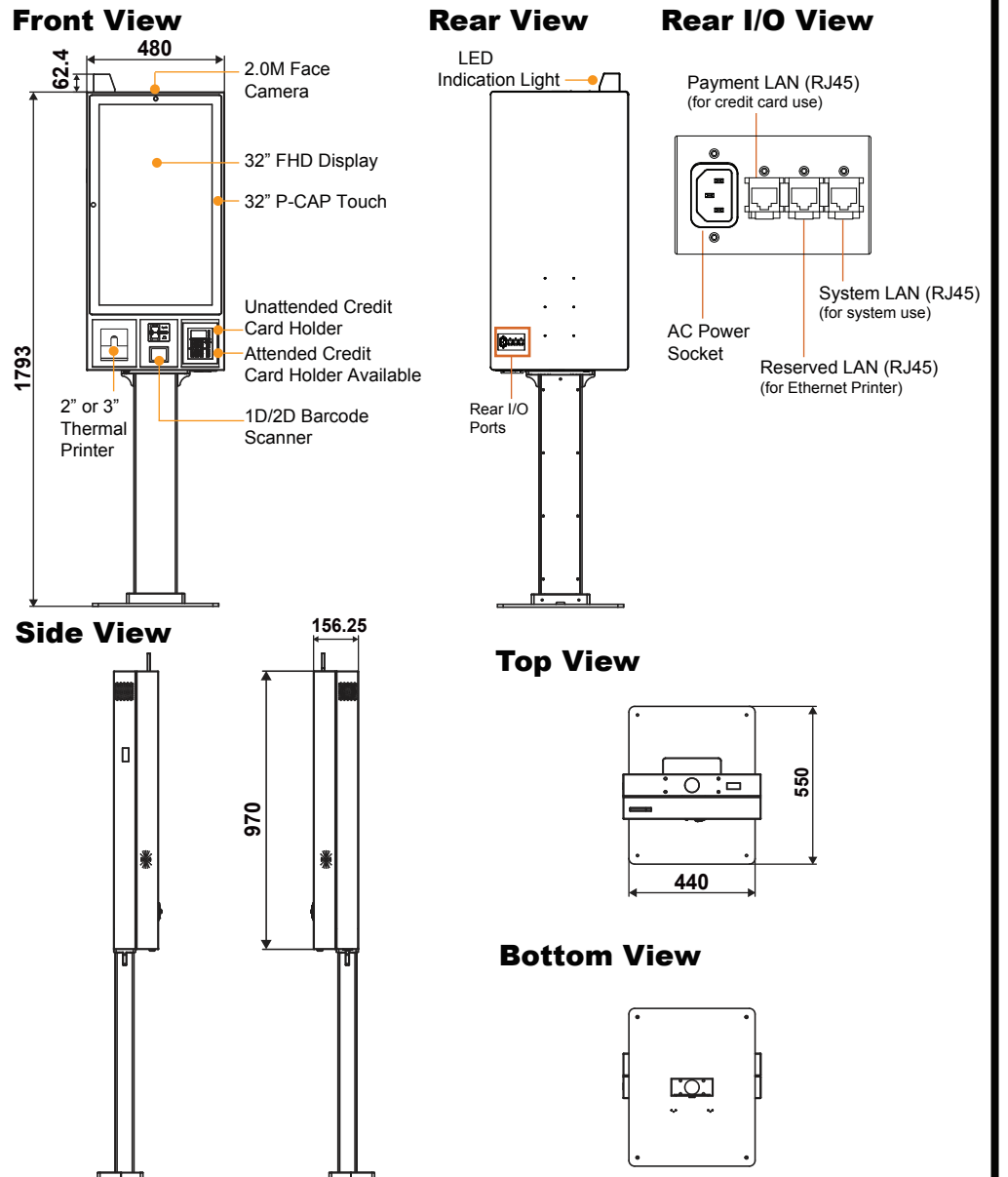
Specifications

System	
CPU Type	Rockchip RK3399 Dual Core A72 +Quad Core A53
Memory	2G LPDDR4 / 4G LPDDR4
Storage	1 x eMMC 16GB / 32GB NAND Flash Memory
Network	1 x 10/100/1000 Base-T Gigabit Ethernet (RJ45)
Power Supply	AC 100~240V Power Supply 200W(24V)
System Weight	41 kg (without floor stand) / 71 kg (with floor stand)
Dimensions (WxHxD)	478 x 966 x 73 mm (without stand) 440 x 1780 x 550 mm (with stand)
O.S. Support	
O.S. Support	Android 11
Speaker	
Speaker	2 x 4W Speaker
System Fan	
System Fan	2 x system fan
LED Indicator	
LED Indicator	1 x LED Indicator available (with Green/Orange/Red)
EMC & Safety	
EMC & Safety	CE / FCC / LVD
Operating Display	
LCD	32" TFT Backlight (LED) LCD
Max. Resolution	FHD 1920 x 1080
Brightness	Typ. 400 cd/m ²
Touchscreen	Projected capacitive touch (USB interface)
Viewing Angle	Horizontal: (R) 89° / (L) 89° / Vertical: (U) 89° / (D) 89°
External I/O Ports	
Ethernet LAN	1 x RJ45 (for System)
Payment LAN	1 x RJ45 (for Credit Card Reader)
Reserved LAN	1 x RJ45 (for Ethernet Printer)
AC Power	1 x AC power socket
Add-ons (optional)	
Face Camera	2.0M Face Camera
Barcode Scanner	1D/2D Barcode
Thermal Printer	2" or 3" standalone thermal printer for 80 mm paper roll
Wi-Fi Bluetooth Module	WLAN 802.11ac 2T2R+BT4.2 Half Mini Combo Card
Environment	
Temperature	Operating: 5°C ~ 35°C (41°F ~ 95°F) Storage: 0°C ~ 60°C (32°F ~ 140°F)
Humidity	20% ~ 85% (no condensation)

KS-M333

System View

Unit: mm



Easy Maintenance

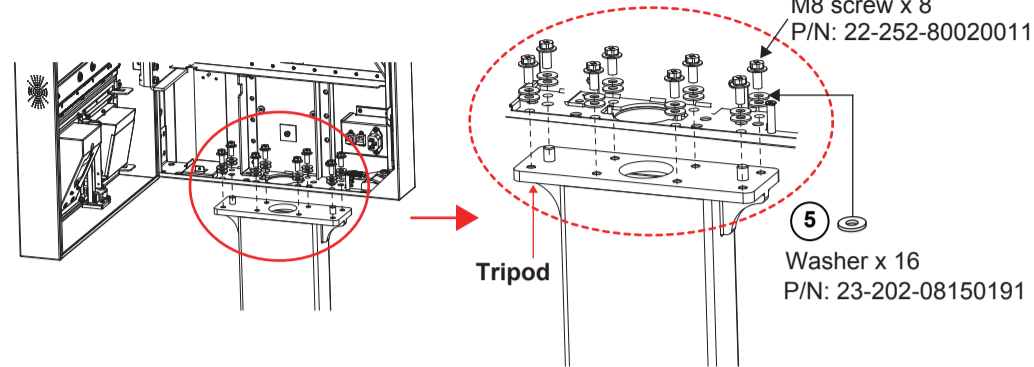
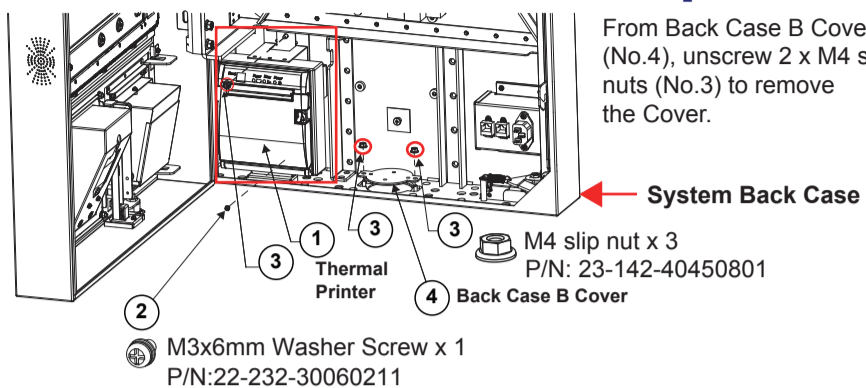
Installing Body Onto Stand

Step 1. From Thermal Printer (No.1), unscrew M3x6mm washer screw (No.2) and M4 slip nut (No.3) and remove Printer.

Step 2.

From Back Case B Cover (No.4), unscrew 2 x M4 slip nuts (No.3) to remove the Cover.

Step 3. Fasten Washers (x16) and M8 screws (x 8) to install Back Case onto the Tripod as shown and install back Thermal Printer to complete.



Re-Locating AC Power Socket & LAN Connector when with Floor Stand

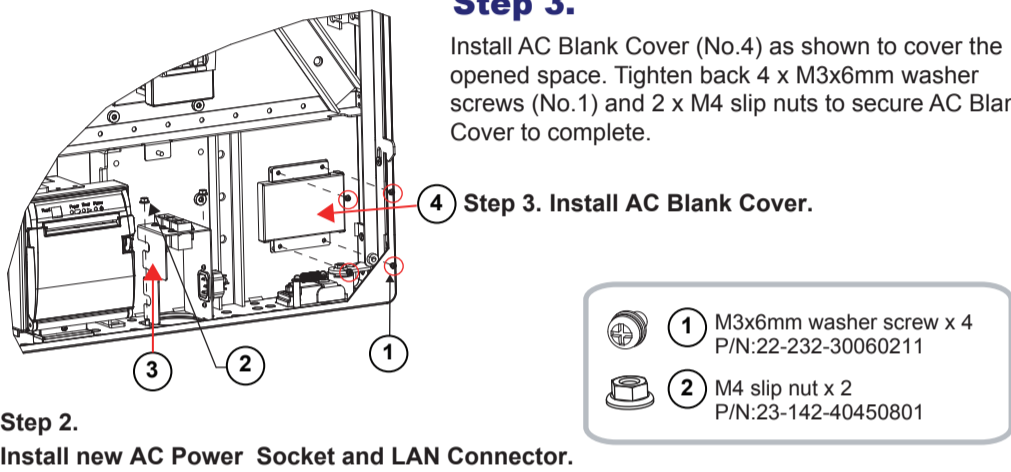
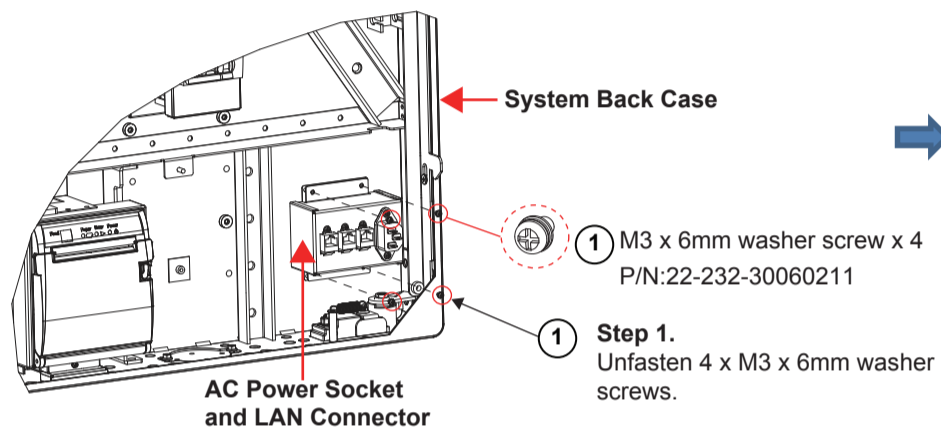
Note: Users are only required to re-locate AC Power Socket and LAN Connector when Floor Stand is installed and users can wire LAN cables internally into Stand Tube.

Step 1. Unfasten 4 x M3x6mm washer screws to remove the AC Power Socket and LAN Connector.

Step 2. Place the new AC Power Socket and LAN Connector (No.3) as shown into the proper position.

Step 3.

Install AC Blank Cover (No.4) as shown to cover the opened space. Tighten back 4 x M3x6mm washer screws (No.1) and 2 x M4 slip nuts to secure AC Blank Cover to complete.

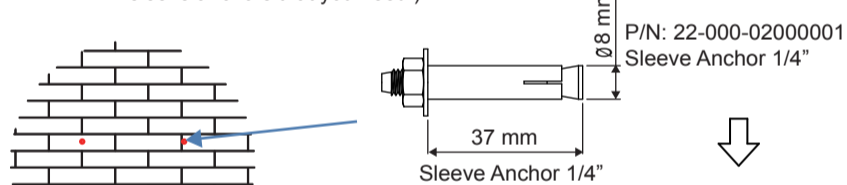


Installing Wall Mount

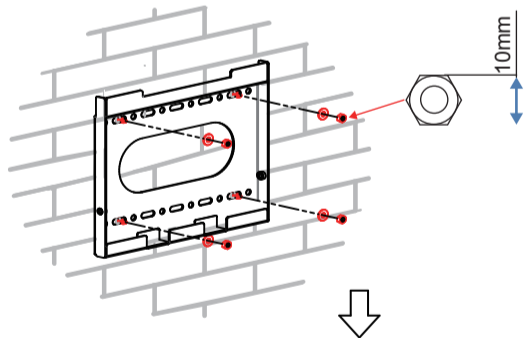
Step 1. Determine the location of the wall mount bracket to be installed on the wall and use a pencil to mark the locations that the sleeve anchors will be fastened.

Step 5. Attach the system installed with the mount bracket-hook onto the mount bracket-rail fixed on the wall.

Step 2. Install the sleeve anchors into the intended locations. Note that the sleeve should be installed inside the wall.
(Note: The pictures below are only for reference. You can determine the number of holes and sleeve anchors that you need.)

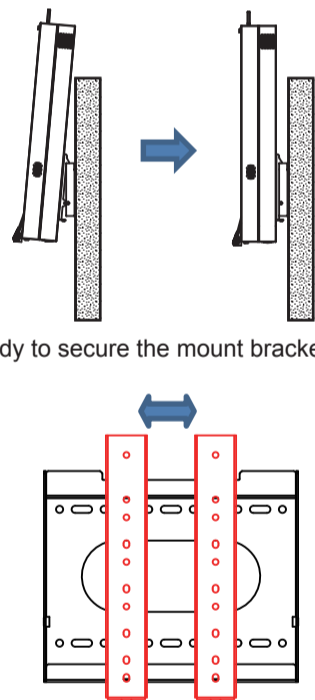


Step 3. Fix the System Body mount bracket-rail onto the wall:



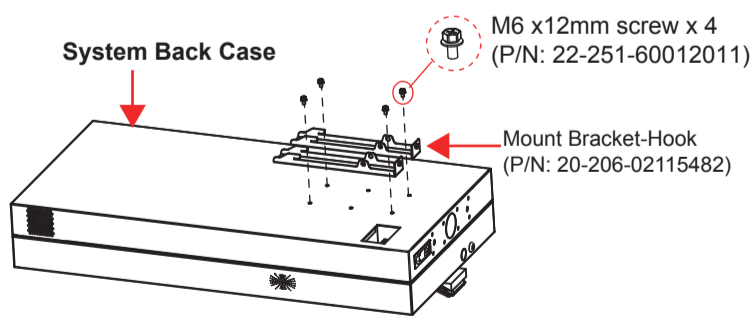
The sleeve part should be hidden into the wall.

Step 6. Adjust System Body to secure the mount bracket-hook into mount bracket-rail firmly.

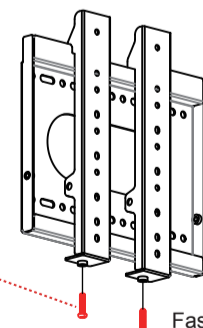


Step 4. Fasten 2 x mount bracket-hook (P/N: 20-206-02115482) onto the rear of the system with 4 screws (M6x1.0Px12mm) (P/N: 22-251-60012011).

Step 7. Fasten the two M6 screws to complete the installation.



M6 x25mm screw
P/N: 22-225-60025031



Fasten two M6 screws.

Safety Precaution

The following messages are reminders for safety on how to protect your system from damages and extend a long life of the system.

1. Check the Cable Voltage

- The power supply (200W/24V) can operate on a voltage range of 100 volts to 240 volts; please refer to the rating label (sticked on the back of the LCD panel) to set the power supply according to the local AC voltage.

2. Environmental Conditions

- Place your KS-M333 on a sturdy, level surface. Be sure to allow enough space to have easy access around the system.
- Avoid extremely hot or cold place to install the system.
- Avoid exposure to sunlight for a long period of time or in an airtight space.
- Avoid the system from any heating device or using KS-M333 when it's been left outdoors in a cold winter day.
- Bear in mind that the operating ambient temperature is from 5°C ~ 35°C (41°F ~ 95°F).
- Avoid moving the system rapidly from a hot place to a cold place and vice versa because condensation may come from inside of the system.
- Placing KS-M333 in strong vibrations may cause hard disk failure.
- Don't place the system close to any radio-active device in case of signal interference.

3. Handling

- Avoid putting heavy objects on top of the system.

- Do not turn the system upside down. This may cause the hard drive to mal-function.
- If water or other liquid spills into this product, unplug the power cord immediately.

4. Good Care

- When the outside of the case is stained, remove the stain with a neutral washing agent with a dry cloth.
- Never use strong agents such as benzene and thinner to clean the system.
- If heavy stains are present, moisten a cloth with diluted neutral washing agent or with alcohol and then wipe thoroughly with a dry cloth.
- If dust has been accumulated on the outside, remove it by using a special made vacuum cleaner for computers.

CAUTION! Danger of explosion if battery is incorrectly replaced. Replace only with the same or equivalent type recommended by the manufacturer. Dispose of used batteries according to the manufacturer's instructions.

WARNING! Some internal parts of the system may have high electrical voltage. And therefore we strongly recommend that qualified engineers open and disassemble the system. Please handle LCD and Touchscreen with extra care as they are easily breakable.