

PA-1822

> Semi-Self Service Payment POS



Features



- Multiple payment methods: "Note", "Coin", "Barcode" and placeholder for credit card reader
- 15" sales clerk touch display, 10.4" customer touch display
- Stylish designed kiosk
- Easy to maintain via modular design

Specifications



System	Dimensions (W x H x D)	450 x 600 x 600 mm	
	Weight	Without packing approx. 50 kg With packing approx. 60 kg (Without notes & coins)	
	Power Supply	AC 100-240V available	
	Certifications	EMI: Class A; ESD: Air 8KV / Contact 4KV	
	O.S. Support	Windows 10 IoT Enterprise / POS Ready7	
	Temperature	Operating: 0°C~35°C; Storage: -20°C~60°C	
	Humidity	Operating & Storage: 20%~85% (no condensation)	
	I/O Ports <small>(in rear lower of cube-body)</small>	Power Input	1 x D-type socket, AC 100-240V available
	Power Switch	1 x Power button (left side of Panel PC)	
	USB	4 x USB Type-A	
	RS232	1 x RJ45	
	LAN Port	1 x RJ45	
Sales Clerk Side	Panel-PC	LCD	15" 5-wire resistive touch & XGA
		CPU	Intel® Celeron® J1900
		Memory	1 x DDR3L SO-DIMM
		Storage	1 x 2.5" SATA
		Options	Vertical MSR & iButton (JIS-I or II, ISO Track1+2+3) Vertical Fingerprint (8-bit grayscale reader)
Customer Side	Note Acceptor & Recycling Units Capacity	Option 1	Acceptor: 300 notes 2 recycling units, each 30 for banknotes
		Option 2	Acceptor: 400 notes 2 recycling units, each 100 for banknotes
	Coin Acceptor	Bulk acceptance	
	Hopper Capacity	About €1 x 1300pcs	
	Touch Display	10.4" 5-wire resistive touch & XGA LCD	
	Thermal Printer	Epson 3" thermal printer module, support up to 130 mm paper roll	
	Barcode Reader	1D: UPC-A, UPC-E, EAN-8, EAN-13, UCC/EAN-128, Code 39, Code 93, Interleaved 2 of 5, Codabar, MSI, GS1 Databar	
		2D: PDF417, MicroPDF417, DataMatrix, QR Code, MaxiCode	

*All information contained in this document is subject to change without prior notice. Please log on www.protech.com.tw to acquire latest information.

Applications

- Retail
- Food Service

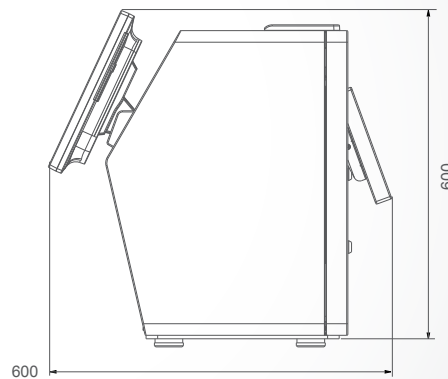
Highlights



System I/O Ports



Dimensions



unit: mm