



## 15" Fanless Slim POS Terminal



### Features

- Fanless design with Intel® Celeron® 6305E / Pentium® 7505 CPU
- 15" LCD display with bezel-free touchscreen
- Thin and light panel appearance.
- SSD easy maintenance design
- Versatile design for multiple applications
- MSR / i-Button / Fingerprint / 2D Barcode Scanner / 2nd Display / VFD (optional)
- VESA 75 x 75 standard

### Specifications

System	
CPU Support	Intel® Core™ i5-1145G7E / i3-1115G4E / Celeron® 6305E / Pentium® 7505 CPU
Memory	1 x DDR4 SO-DIMM (up to 16GB)
Network	Gigabit 10/100/1000 Base-T Fast Ethernet 1 x M.2 (Key E, 2230)
Power Supply	60/90 watt power adapter
Audio	2W speaker
System Weight	W/o power adapter approx. 5.3 kg (POS+ 2 display) / 4.3 kg (POS) / 3.9 kg (PPC)
Dimensions (W x H x D)	POS + 2 Display: 342 x 291 x 237 mm (with 45 degree) POS: 342 x 270 x 195 mm (with 45 degree) PPC type: 342 x 270 x 60 mm
O.S. Support	Windows® 11 IoT Enterprise / Windows® 10 IoT Enterprise
Storage	
M.2	1 x M.2 2280
I/O Ports	
USB	Rear I/O: 2 x USB 2.0 / 2 x USB 3.1 / 1 x USB Type-C Side I/O: 1 x USB 2.0
Serial Ports	2 x RJ45 (all support +5V/12V selectable)
LAN	1 x Giga LAN
HDMI	1 x HDMI®
Cash Drawer	1 x RJ11 (+12V or +24V selectable)
DC In	1 x 4-pin DC power jack
Add-ons	
Customer Display	20 columns x2 lines STN LCD display
MSR & i-Button	ISO I,II,III; JIS II and support information key (USB interface) Silicon fingerprint module
Fingerprint	
Barcode Scanner	1D: EAN-13, EAN-8, UPC-A, UPC-E, ISSN, ISBN, Codabar, Code 128, Code 93, ITF-6, ITF-14, Interleaved 2 of 5, Industrial 2 of 5, Standard 2 of 5, Matrix 2 of 5, GS1 Databar, Code 39, Code 11 2D: PDF417, QR Code, Micro QR, Data Matrix, Chinese sensible code
Display	
LCD	15" IPS LCD
Max. Resolution	1024 x 768
Brightness	400 cd/m <sup>2</sup>
Touchscreen	Bezel-free projected capacitive
Tilt Angle	0~50 degree
Environment	
EMC & Safety	CE / FCC
Operating Temp.	0°C~35°C
Storage Temp.	-20°C~60°C
Humidity	20%~90%

### Application

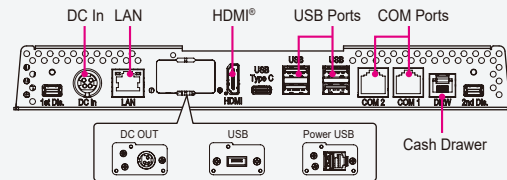
- Information
- Hospitality
- Food Service
- Retail



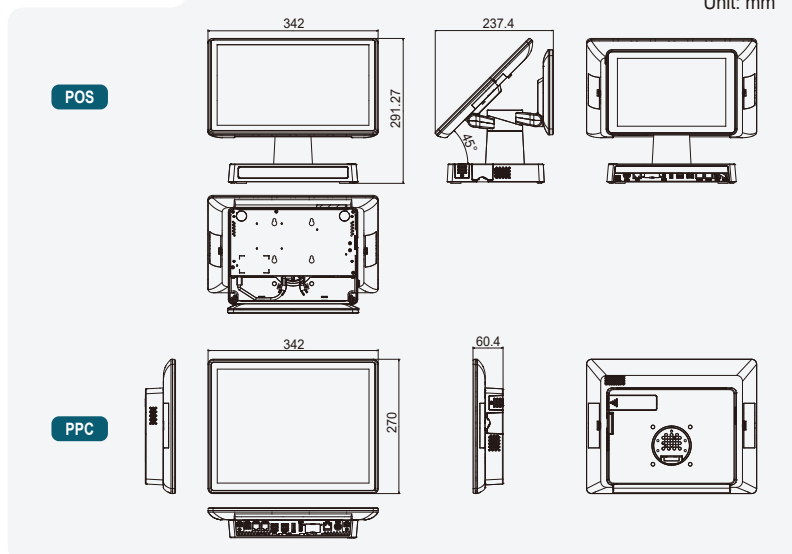
### Highlights



### System I/O Ports



### Dimensions



\* All information contained in this document is subject to change without prior notice. Please log on [www.protech.com.tw](http://www.protech.com.tw) to acquire latest information. For detail mechanics drawing, please contact our sales.