

# PA-J581

## Quick Reference Guide



Ver. Q1

All Rights Reserved. Copyright 2023

## Packing Checklist

If you discover any of the items below is damaged or lost, please contact your vendor immediately.

- PA-J581 X 1
- This Quick Reference Guide X 1
- Power Adaptor X 1
- AC Power Cord X 1
- Driver DVD X 1
- Option X 1

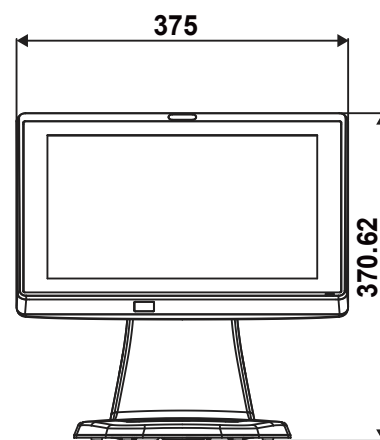
## Specifications

<b>System</b>	CPU Support	Intel® Celeron® J6412 CPU
	Memory	1 x DDR4 SO-DIMM (up to 16GB)
	Network	Gigabit 10/100/1000 Base-T Fast Ethernet
	Power Supply	60/90 watt power adapter
	Audio	2W speaker
	System Weight	With power adapter approx. 7 kg
	Dimensions	375 x 364 x 290 mm (with 45 degree)
	O.S. Support	Windows® 10 IoT Enterprise / Windows® 11 IoT Enterprise
<b>Storage</b>	SATA	1 x 2.5" HDD or SSD
<b>I/O Ports</b>	USB	<b>Rear:</b> 2 x USB 2.0 / 2 x USB 3.0 + 1 x USB 2.0 (optional) <b>Side:</b> 1 x USB 2.0
	Serial Ports	3 + 1 (optional) x RJ45 (all support +5V/12V selectable)
	LAN	1 x RJ45
	HDMI	1 x HDMI
	Line Out & Mic	2 x 3.5 mm phone jack (optional)
	Cash Drawer	1 x RJ11 (+12V or +24V selectable)
	DC In	1 x 4-pin DC power jack
<b>Add-ons</b>	Customer Display	VFD kit, 20 columns and 2 lines, each column is 5 x 7 dots
	MSR & iButton	ISO I,II,III; JIS II and support information key (USB interface)
	Fingerprint	8-bit grayscale reader
	Camera	2.0M pixel CMOS camera module
<b>Barcode Scanner</b>	1D	EAN-13, EAN-8, UPC-A, UPC-E, ISSN, ISBN, Codabar, Code 128, Code 93, ITF-6, ITF-14, Interleaved 2 of 5, Industrial 2 of 5, Standard 2 of 5, Matrix 2 of 5, GS1 Databar, Code 39, Code 11
	2D	PDF417, QR Code, Micro QR, Data Matrix, Chinese sensible code
<b>Display</b>	LCD	15" TFT LCD
	Brightness	300 cd/m <sup>2</sup>
	Max. Resolution	1024 x 768
	Touchscreen	Bezel-free 5-wire analog resistive or projected capacitive
	Tilt Angle	0~50 degree
<b>Environment</b>	EMC & Safety	CE / FCC
	Operating Temp.	0°C ~ 35°C (32°F ~95°F)
	Storage Temp.	-20°C ~ 60°C (-4°F ~140°F)
	Humidity	20% ~ 90%

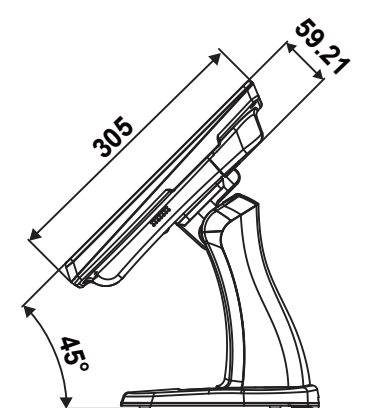
## System View

Unit: mm

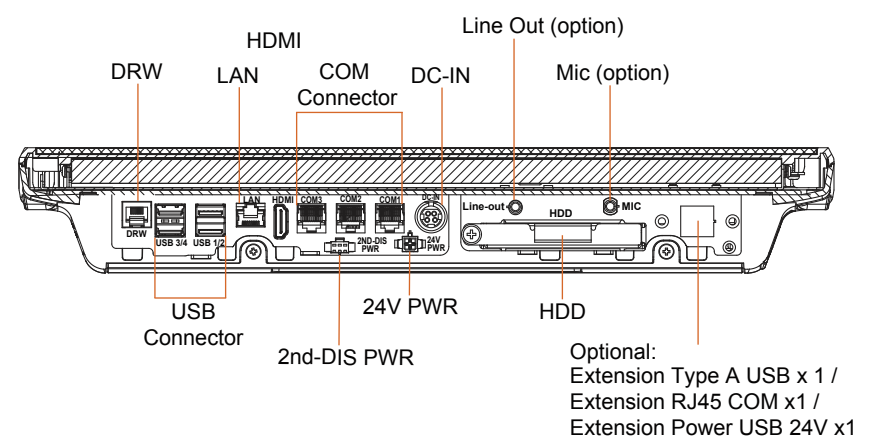
### Front View



### Side View



### Rear I/O



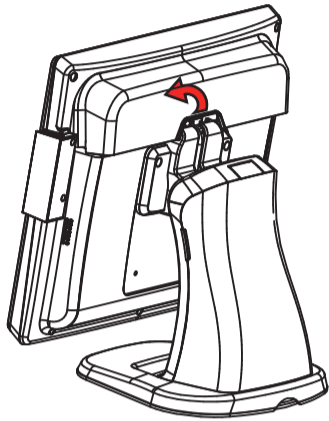
# PA-J581

## 15" Fanless Slim POS with Intel® Celeron® J6412

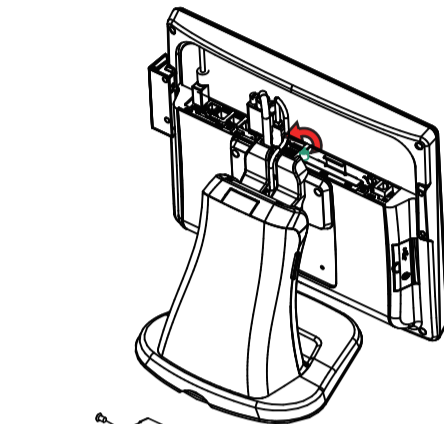
### Easy Maintenance

#### HDD Maintenance

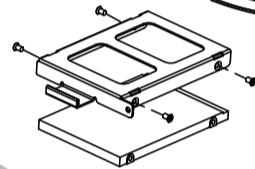
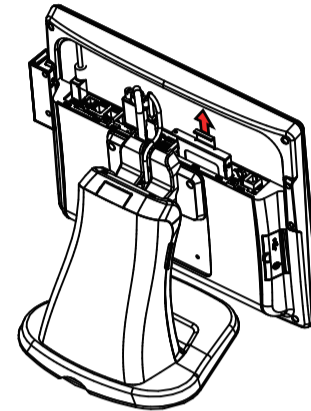
**Step 1:** Follow the red arrow to rotate I/O cover.



**Step 2:** Follow the red arrow to rotate the screw.



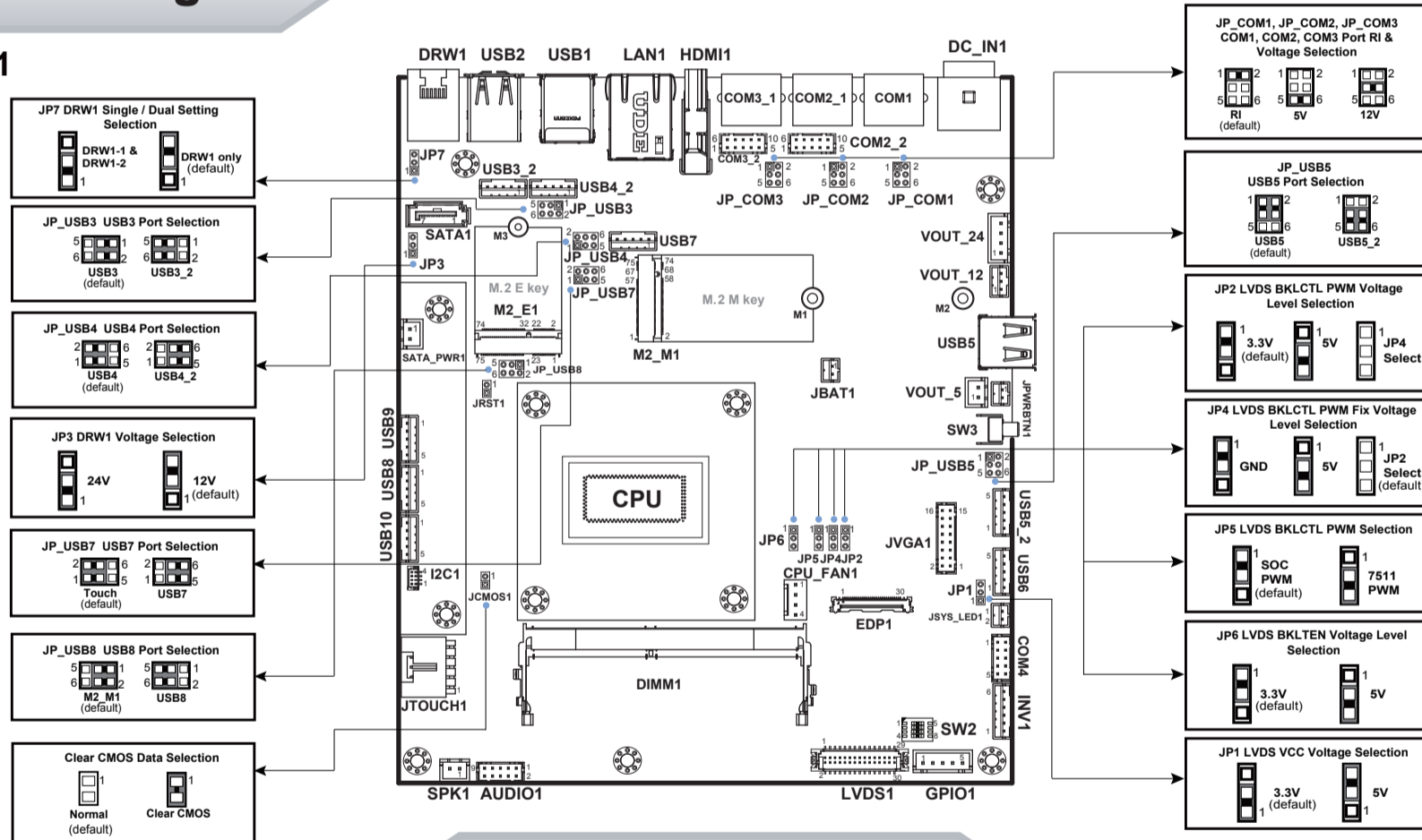
**Step 3:** Follow the red arrow to pull out HDD Tray.



**Step 4:** Unassemble the HDD fixing screw and take off the HDD tray.

### Jumper Setting

M/B: PB-J581



**CAUTION!**  
 Danger of explosion if the battery is incorrectly replaced. Replace only with the same or equivalent type recommended by the manufacturer. Dispose of used batteries according to the manufacturer's instructions.

### Safety Precaution

The following messages are reminders for safety on how to protect your systems from damages and to extend a long life of the system.

#### 1. Check the Cable Voltage

- Make sure the range of operating voltage between AC 100V ~ 240V. Otherwise, the system could be damaged.

#### 2. Environmental Conditions

- Place your PA-J581 on a sturdy, level surface. Be sure to allow enough space to have easy access around the system.
- Avoid extremely hot or cold place to install the system.
- Avoid exposure to sunlight for a long period of time or in an airtight space.
- Avoid the system from any heating device or using it outdoors in a cold winter day.
- Bear in mind that the operating ambient temperature is from 0 ~ 35°C (32°F ~ 95°F).
- Avoid moving the system rapidly from a hot place to a cold place and vice versa because condensation may come from inside of the system.
- Place PA-J581 in strong vibration(s) may cause hard disk failure.
- Don't place the system close to any radio active device in case of signal interference.

#### 3. Handling

- If the system isn't fully in DOS mode, adjust BIOS setting as the instruction:  
 Advanced Chipset Feature => Boot display => choose "LFP".

- Avoid putting heavy objects on top of the system.
- Don't turn the system upside down. This may cause the hard drive to malfunction.
- Don't allow foreign objects to fall into this product.
- If water or other liquid spills into this product, unplug the power cord immediately.

#### 4. Good Care

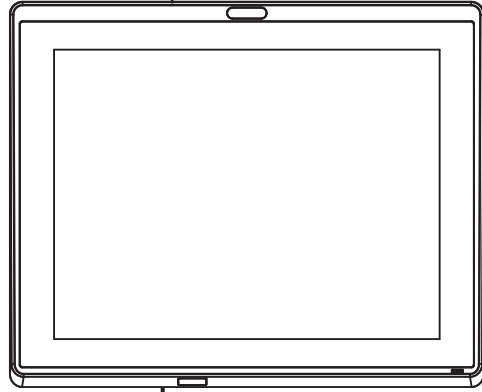
- When the outside of the case is stained, remove the stain with a neutral washing agent with a cloth.
- Never use strong agents such as benzene and thinner to clean the system.
- If heavy stains are present, moisten a cloth with diluted neutral washing agent or with alcohol and then wipe thoroughly with a dry cloth.
- If dust has been accumulated on the outside, remove it by using a special made vacuum cleaner for computers.
- Don't contact the surface of capacitive touch before entering your operation system, or capacitive touch may have problems for electrostatics interface.
- Don't exchange the M/B battery by yourself or serious damage may incur.

**CAUTION!** Danger of explosion if battery is incorrectly replaced. Replace only with the same or equivalent type recommended by the manufacturer. Dispose of used batteries according to the manufacturer's instructions.

**WARNING!** Some internal parts of the system may have high electrical voltage. And therefore we strongly recommend that qualified engineers can open and disassemble the system. The LCD and Touchscreen are easily breakable, please handle them with extra care.

# PA-J581

## Quick Reference Guide



Ver. Q1

All Rights Reserved. Copyright 2023

## Packing Checklist

If you discover any item below was damaged or lost, please contact your vendor immediately.

- PA-J581 X 1
- This Quick Reference Guide X 1
- Power Adaptor X 1
- AC Power Cord X 1
- Driver DVD X 1
- Option X 1

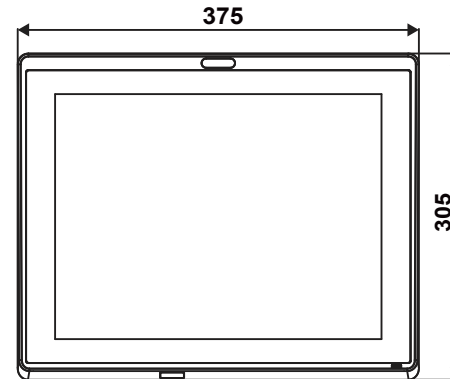
## Specifications

<b>System</b>	CPU Support	Intel® Celeron® J6412 CPU
	Memory	1 x DDR4 SO-DIMM (up to 16GB)
	Network	Gigabit 10/100/1000 Base-T Fast Ethernet
	Power Supply	60/90 watt power adapter
	Audio	2W speaker
	System Weight	3.8 kg
	Dimensions	375 x 305 x 59.2 mm
	O.S. Support	Windows® 10 IoT Enterprise / Windows® 11 IoT Enterprise
<b>Storage</b>	SATA	1 x 2.5" HDD or SSD
	I/O Ports	<b>USB</b> Rear: 2 x USB 2.0 / 2 x USB 3.0 + 1x USB 2.0 (optional) Side: 1 x USB 2.0 <b>Serial Ports</b> 3 + 1 (optional) x RJ45 (all support +5V/12V selectable) <b>LAN</b> 1 x RJ45 <b>HDMI</b> 1 x HDMI <b>Line Out &amp; Mic</b> 2 x 3.5 mm phone jack (optional) <b>Cash Drawer</b> 1 x RJ11 (+12V or +24V selectable) <b>DC In</b> 1 x 4-pin DC power jack
<b>Add-ons</b>	Customer Display	VFD kit, 20 columns and 2 lines, each column is 5 x 7 dots
	MSR & iButton	ISO I,II,III; JIS II and support information key (USB interface)
	Fingerprint	8-bit grayscale reader
	Camera	2.0M pixel CMOS camera module
	Barcode Scanner	<b>1D:</b> EAN-13, EAN-8, UPC-A, UPC-E, ISSN, ISBN, Codabar, Code 128, Code 93, ITF-6, ITF-14, Interleaved 2 of 5, Industrial 2 of 5, Standard 2 of 5, Matrix 2 of 5, GS1 Databar, Code 39, Code 11 <b>2D:</b> PDF417, QR Code, Micro QR, Data Matrix, Chinese sensible code
<b>Display</b>	LCD	15" TFT LCD
	Brightness	300 cd/m <sup>2</sup>
	Max. Resolution	1024 x 768
	Touchscreen	Bezel-free 5-wire analog resistive or projected capacitive
	Tilt Angle	0~50 degree
<b>Environment</b>	EMC & Safety	CE / FCC
	Operating Temp.	0°C ~ 35°C (32°F ~95°F)
	Storage Temp.	-20°C ~ 60°C (-4°F ~140°F)
	Humidity	20% ~ 90%

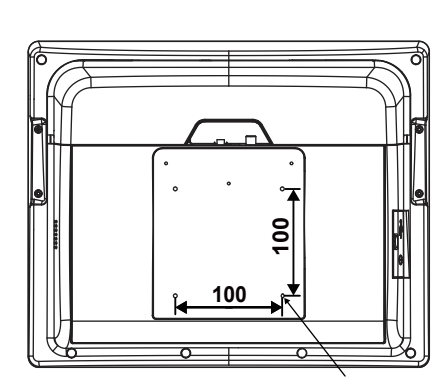
## System View

Unit: mm

**Front View**

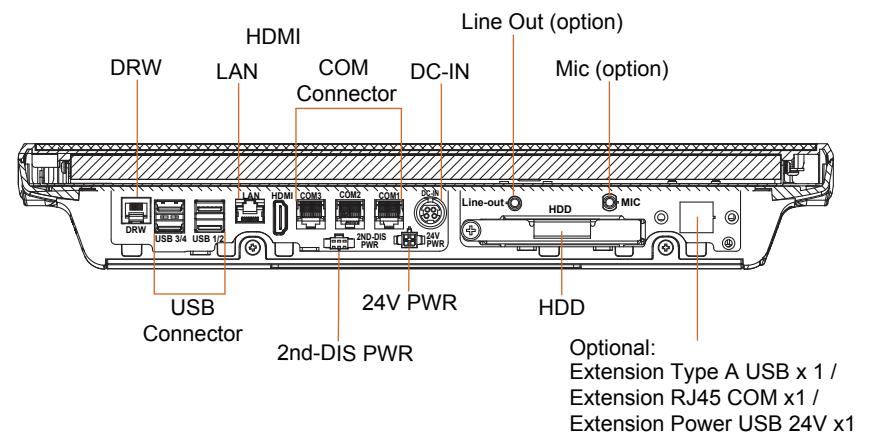


**Rear View**



M4 screw hole (x4)

**Rear I/O**



# PA-J581

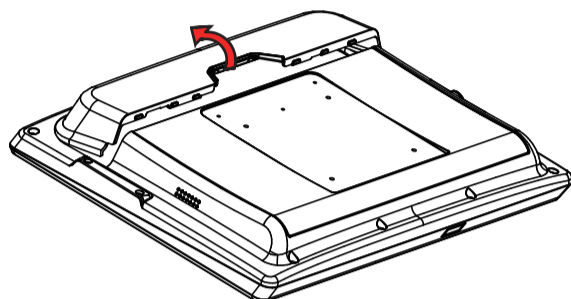
## 15" Fanless Slim Panel PC with Intel® Celeron® J6412

### Easy Maintenance

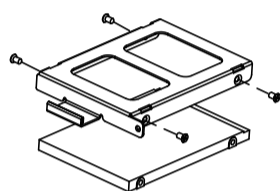
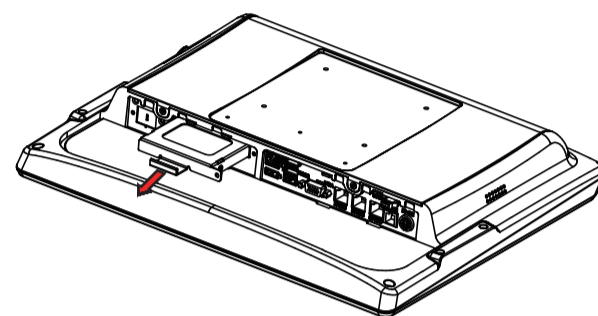
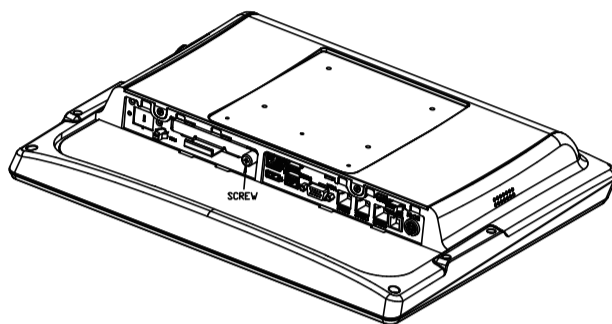
#### HDD Maintenance

**Step 1:** Rotate the cable cover.

**Step 3:** Pull out HDD Tray.



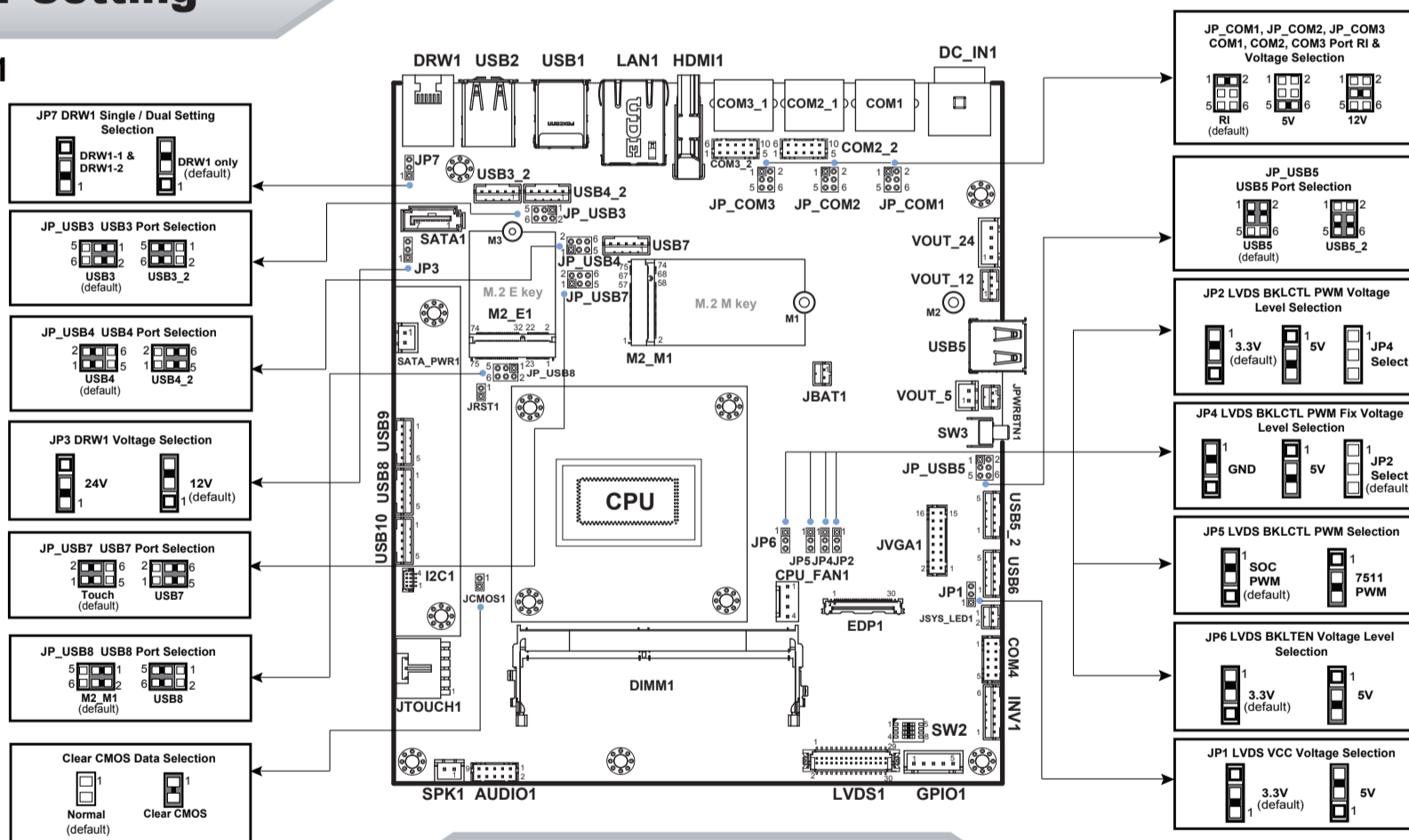
**Step 2:** Unassemble the screw.



**Step 4:** Unassemble the HDD fixing screw and take off the HDD tray.

### Jumper Setting

M/B: PB-J581



**CAUTION!**  
 Danger of explosion if the battery is incorrectly replaced. Replace only with the same or equivalent type recommended by the manufacturer. Dispose of used batteries according to the manufacturer's instructions.

### Safety Precaution

The following messages are reminders for safety on how to protect your systems from damages and to extend a long life of the system.

#### 1. Check the Cable Voltage

- Make sure the range of operating voltage between AC 100V ~ 240V. Otherwise, the system could be damaged.

#### 2. Environmental Conditions

- Place your PA-J581 on a sturdy, level surface. Be sure to allow enough space to have easy access around the system.
- Avoid extremely hot or cold place to install the system.
- Avoid exposure to sunlight for a long period of time or in an airtight space.
- Avoid the system from any heating device or using it outdoors in a cold winter day.
- Bear in mind that the operating ambient temperature is from 0 ~ 35°C (32°F ~ 95°F).
- Avoid moving the system rapidly from a hot place to a cold place and vice versa because condensation may come from inside of the system.
- Place PA-J581 in strong vibration(s) may cause hard disk failure.
- Don't place the system close to any radio active device in case of signal interference.

#### 3. Handling

- If the system isn't fully in DOS mode, adjust BIOS setting as the instruction:  
 Advanced Chipset Feature => Boot display => choose "LFP".

- Avoid putting heavy objects on top of the system.
- Don't turn the system upside down. This may cause the hard drive to malfunction.
- Don't allow foreign objects to fall into this product.
- If water or other liquid spills into this product, unplug the power cord immediately.

#### 4. Good Care

- When the outside of the case is stained, remove the stain with a neutral washing agent with a cloth.
- Never use strong agents such as benzene and thinner to clean the system.
- If heavy stains are present, moisten a cloth with diluted neutral washing agent or with alcohol and then wipe thoroughly with a dry cloth.
- If dust has been accumulated on the outside, remove it by using a special made vacuum cleaner for computers.
- Don't contact the surface of capacitive touch before entering your operation system, or capacitive touch may have problems for electrostatics interface.
- Don't exchange the M/B battery by yourself or serious damage may incur.

**CAUTION!** Danger of explosion if battery is incorrectly replaced. Replace only with the same or equivalent type recommended by the manufacturer. Dispose of used batteries according to the manufacturer's instructions.

**WARNING!** Some internal parts of the system may have high electrical voltage. And therefore we strongly recommend that qualified engineers can open and disassemble the system. The LCD and Touchscreen are easily breakable, please handle them with extra care.