

SP-6555



Intel® Atom® / Celeron® Processor Fanless and Low Power 15" Panel PC



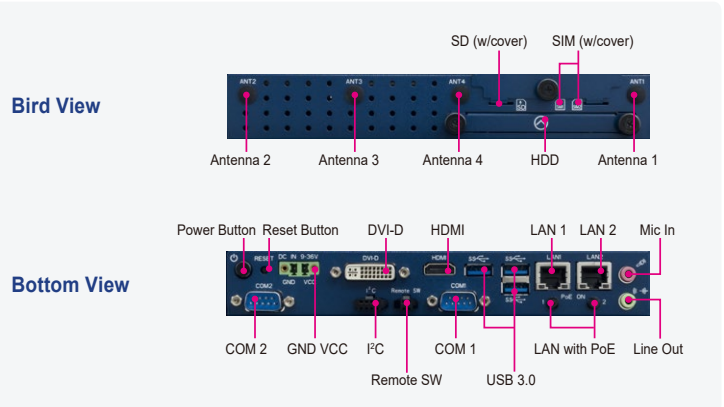
Features

- Intel® Atom® E3950 / Celeron® J3455
- Fanless and quiet design
- HDD easy maintenance
- Three independent displays (HDMI / DVI-D / LVDS)
- Multiple I/O ports (2 x LAN with PoE / 3 x USB 3.0 / 2 x COM / I²C)
- Expansion slot (2 x full-sized Mini PCIe / SD slot / 2 x SIM slot)
- Wide-ranged voltage DC In (9~36V)
- Wide-ranged temperature (w/ E3950)
- Front panel IP65 design
- Aluminum front bezel
- Supports 5-wire resistive touchscreen or projected capacitive touchscreen
- Supports high brightness LCD sunlight readable (optional)
- TPM module (optional)

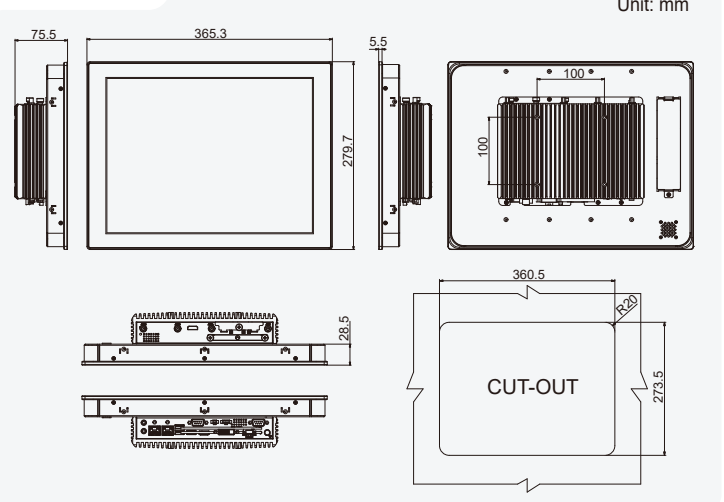
Specifications

System	
CPU Type	Intel® Celeron® J3455 4C, 2.3GHz Intel® Atom® x7 E3950 4C, 1.8GHz
Chipset	Intel® SoC
Memory Support	1 x DDR3L 1600/1867MHz SO-DIMM socket (up to 8GB)
Watchdog	1~255 seconds watchdog timer selectable
Storage	1 x 2.5" SATA HDD or SSD
Front Bezel	Aluminum
IP65	Yes (for front panel only)
Power Input	DC In 9~36V
Operating System	Windows 10 IoT Enterprise LTSC 2016 64bit / Ubuntu 16.04 LTS
Dimensions (W x H x D)	365.3 x 279.7 x 75.5 mm
System Weight	5.7 kg
Mounting Support	Wall mount / VESA 100 / Panel mount
Certifications	FCC / CE
I/O Ports	
Display	1 x HDMI up to 4K, 1 x DVI-D
USB	3 x USB 3.0
Audio	1 x Line Out / 1 x Mic In
LAN	2 x LAN (PoE IEEE 802.3af optional), Wake-On-LAN, PXE LAN 1: Intel® I210IT LAN 2: Intel® I210IT
Serial Ports	COM 1/2 for RS232/422/485 (selectable under BIOS), RI/5V/12V selectable by jumper
Storage	1 x 2.5" SATA III HDD or SSD drive space
Expansion Slots	1 x full-sized Mini PCIe (with mSATA or 3G/4G card with USB 2.0 signal) 1 x full-sized Mini PCIe (with PCIe or 3G/4G card with USB 2.0 signal) 1 x SD slot 2 x SIM slot
Antenna Hole	4 x antenna holes
Power On/Off	1 x power button 1 x remote switch
LED	2 x PoE LED
I ² C	1 x I ² C port
Display	
LCD	15" TFT LCD (LED) resolution XGA 1024 x 768, 450 nits
Touchscreen	5-wire resistive touchscreen or projected capacitive touchscreen (USB interface)
Environment	
Operating Temp. (Ambient with airflow)	HDD: 0°C~40°C (32°F~104°F) SSD: 0°C~50°C (32°F~122°F) 0°C~50°C (32°F~122°F) (w/ N3350) Wide-ranged temperature: -20°C~50°C (-4°F~122°F) (w/ E3950)
Storage Temp.	-20°C~80°C (-4°F~176°F)
Humidity	20%~90%

I/O Connector



Dimensions



Application

- Automation
- Information
- Food Service
- Banking
- Retail



* All information contained in this document is subject to change without prior notice. Please log on www.protech.com.tw to acquire latest information. For detail mechanics drawing, please contact our sales.

Protech Systems Co., Ltd.
No. 24, Lane 365, Yang Kuang Street,
Nei Hu District, Taipei 114, Taiwan
TEL: +886-2-8751-1111
E-mail: sales@protech.com.tw
<https://www.protech.com.tw>

Protech Japan Co., Ltd.
OSK Bldg, 6F, 6-25-14, Minami-ohi
Shinagawa-ku, Tokyo, 140-0013
TEL: +81-3-5753-8411
E-mail: sam@protech-j.com
<http://www.protech-j.com>

Protech Technologies Inc.
950 Fee Ana St., Suite B
Placentia, CA 92670
TEL: +1-714-996-7200
E-mail: sales@protech-usa.net
<http://www.protech-usa.net>

PROX SYSTEMS Germany GmbH
Weststrasse 20a, 40721 Hilden
Düsseldorf, Germany
TEL: +49 (0) 2103-41898-0
E-mail: sales@prox-systems.eu
<http://www.prox-systems.eu>

PROX SYSTEMS SPAIN S.L.
C/ Albasanz 14 Bis, 2ºD
28037 Madrid, Spain
TEL: (+34) 917648559
E-mail: sales.spain@prox-systems.com
<http://www.prox-systems.com>