



## 15.6" Fanless Slim POS Terminal



### Features

- Fanless design
- 15.6" LCD display with bezel-free capacitive touch
- Versatile design for multiple applications
- Optional MSR / i-Button / Fingerprint / VFD / RFID / 2" or 3" Thermal Printer / Barcode Scanner / Wireless LAN

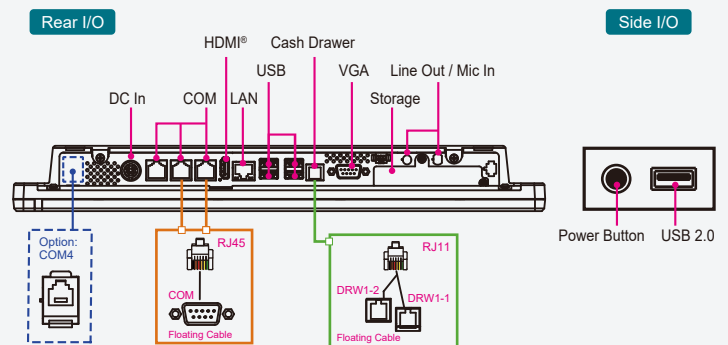
### Specifications

System	
CPU Support	Intel® Core™ i5-1245UE / Core™ i3-1215UE / Celeron® 7305E
Memory	DDR4, 1 x 260-pin SO-DIMM, Max. up to 32GB
Network	10/ 100/1000/2.5G Mbps
Power Supply	60/90 watt power adapter
Audio	2.5W speaker
System Weight	With power adapter approx. 6 kg
Dimensions (W x H x D)	391 x 247 x 48 mm
O.S. Support	Windows® 11 / Windows® 10
Storage	
SATA	SATA III M.2, Key M, 2242/2280 with PCIe x4 / SATAIII
I/O Ports	
USB	Rear: 2 x USB 2.0 / 2 x USB 3.1 Side: 1 x USB 2.0
Serial Ports	3 x RJ-45 (COM1,2 support 5V/12V selectable by jumper), RS232 interface
LAN	1 x 2.5 GbE LAN (RJ45)
HDMI	1 x HDMI®
Cash Drawer	1 x RJ11 (+12V or +24V selectable)
DC In	1 x 4-pin DC power jack
Optional	1 x DB9 RS-232 (+5V/+12V selectable); 1 x DB-15 VGA interface; 1 x Line Out; 1 x Mic In; 1 x RJ11 Cash Drawer port
Add-ons	
Customer Display	VFD, 20 columns and 2 lines, each column is 16 x16 dots
Printer	2" or 3" easy loading thermal printer with auto-cutter
MSR & iButton	MSR: JIS I or II, ISO Track1+2+3 (USB interface); iButton: USB/RS-232/PS/2 interface
Fingerprint	8 bits, 256 level for Gray Scale
Display	
LCD	15.6" TFT LCD
Resolution	1366 x 768
Brightness	220 cd/m <sup>2</sup>
Touchscreen	15.6" capacitive touch panel, USB interface
Tilt Angle	40 degree
Environment	
EMC & Safety	CE / FCC
Operating Temp.	0°C~35°C
Storage Temp.	-20°C~85°C
Humidity	20%~90%

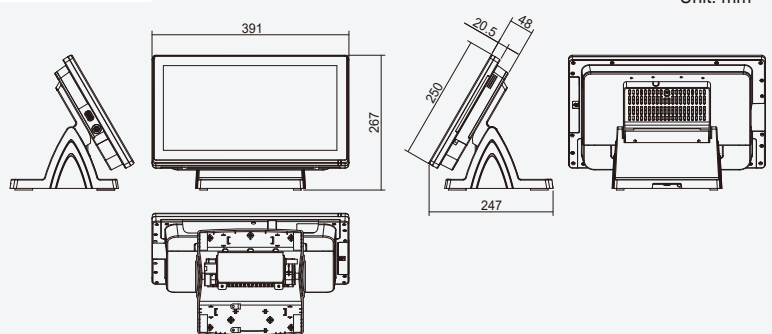
### Highlights



### System I/O Ports



### Dimensions



### Application



\* All information contained in this document is subject to change without prior notice. Please log on [www.protech.com.tw](http://www.protech.com.tw) to acquire latest information. For detail mechanics drawing, please contact our sales.