

PA-A900

› Highly Integrated Fanless All in One 15.6" POS Terminal



Features



- Fanless design with Intel® Celeron® J3455 CPU
- 15.6" LCD display with bezel-free capacitive touch
- Versatile design for multiple applications
- Optional MSR / i-Button / Fingerprint / VFD / RFID / 2" or 3" Thermal Printer / Barcode Scanner / Wireless LAN

Specifications



System	CPU Support	Intel® Celeron® J3455 CPU
	Memory	1 x DDR3L SO-DIMM slot (up to 8GB)
	Network Gigabit	Gigabit 10/100/1000 Base-T Fast Ethernet
	Power Supply	60~90 watt power adapter
	Audio	2W speaker
	TPM	2.0
	System Weight	With power adapter approx. 5 kg
	Dimensions (W x H x D)	372 x 169 x 315 mm
O.S. Support	Windows® 10	
Storage	SATA	1 x 2.5" HDD or SSD
I/O Ports	USB	Rear: 2 x USB 2.0 / 2 x USB 3.0 ; 1 Power USB (12/24V; optional) Side: 1 x USB 2.0
	Serial Ports	3 x RJ45 (all support +5V/12V selectable)+ 1 (optional) x DB9
	LAN	1 x RJ45
	VGA	1 x DB15 (Optional)
	HDMI	1 x HDMI®
	Cash Drawer	1 + 1 (option, with Y cable) x RJ11 (+12V or +24V selectable)
	DC In	1 x 4 pin DC power jack
Add-ons	Customer Display	VFD, 20 columns and 2 lines, each column is 16 x16 dots
	Printer	2" or 3" easy loading thermal printer with auto-cutter
	MSR & iButton	MSR: JIS I or II, ISO Track1+2+3 (USB interface); iButton: USB/RS232/PS/2 interface
Fingerprint	8 bits, 256 level for Gray Scale	
Display	LCD	15.6" TFT LCD
	Resolution	1366 x768
	Brightness	220 cd/m ²
	Touchscreen	15.6" capacitive touch panel, USB interface (EETI controller)
	Tilt Angle	40 degrees
Environment	EMC & Safety	CE / FCC
	Operating Temp.	0°C~35°C
	Storage Temp.	-5°C~60°C
	Humidity	20%~90%

*All information contained in this document is subject to change without prior notice. Please log on www.protech.com.tw to acquire latest information.

Applications

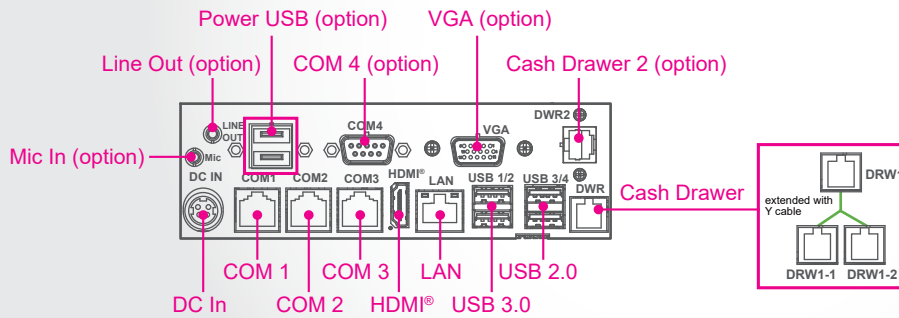
- Retail
- Food Service
- Banking
- Information
- Hospitality

Highlights

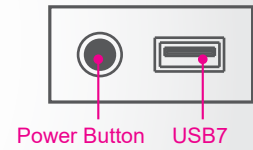


System I/O Ports

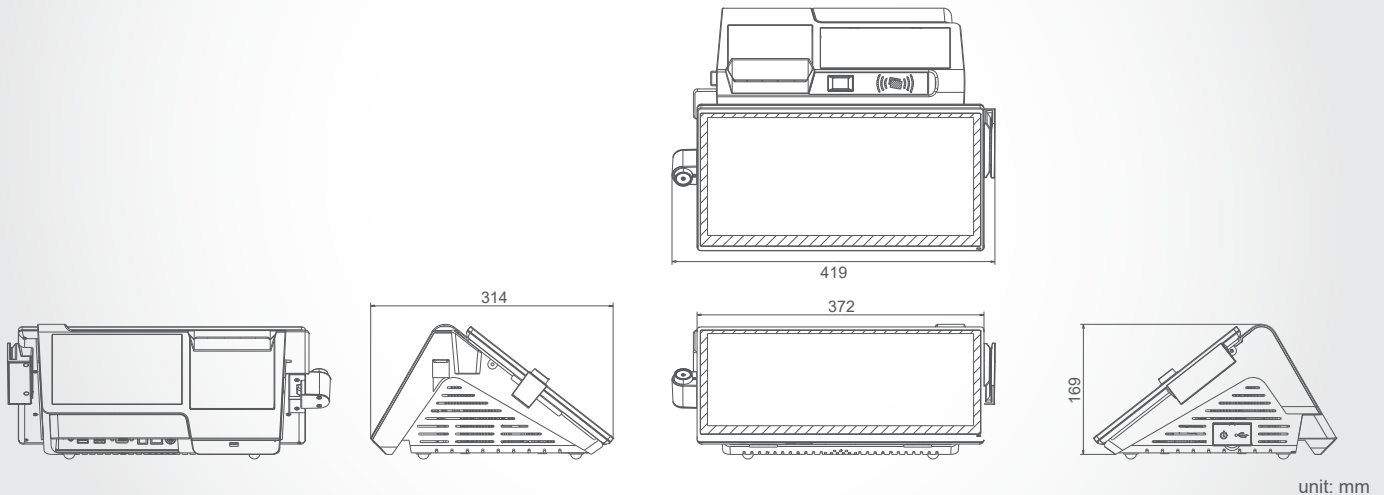
Rear I/O



Side I/O



Dimensions



unit: mm